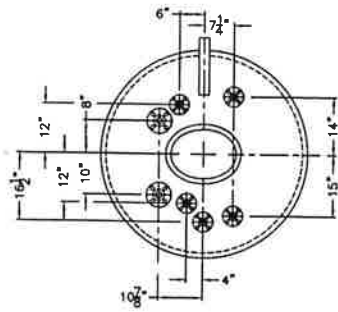
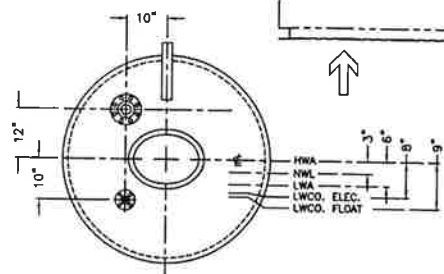


TECHNICAL DATA

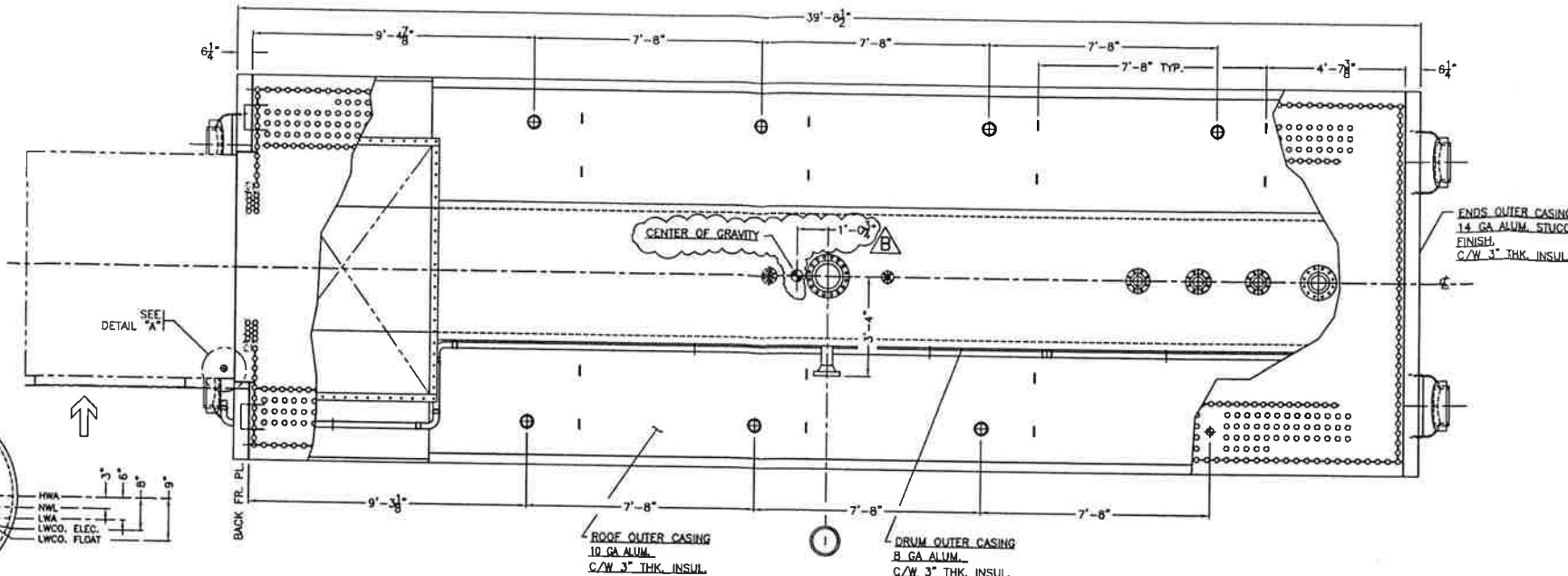
MODEL : A4-165-R
 DESIGN PRESSURE : 395 PSIG
 OPERATING PRESSURE : FROM 100 TO 360 PSIG
 FUEL : NATURAL GAS,
 SHIPPING WEIGHT W/ BURNER : 168,000 lb
 FLOODED WEIGHT : 240,500 lb
 OPERATING WEIGHT : 222,000 lb
 CAPACITY W/ ECONOMIZER : 190,000 lb/hr



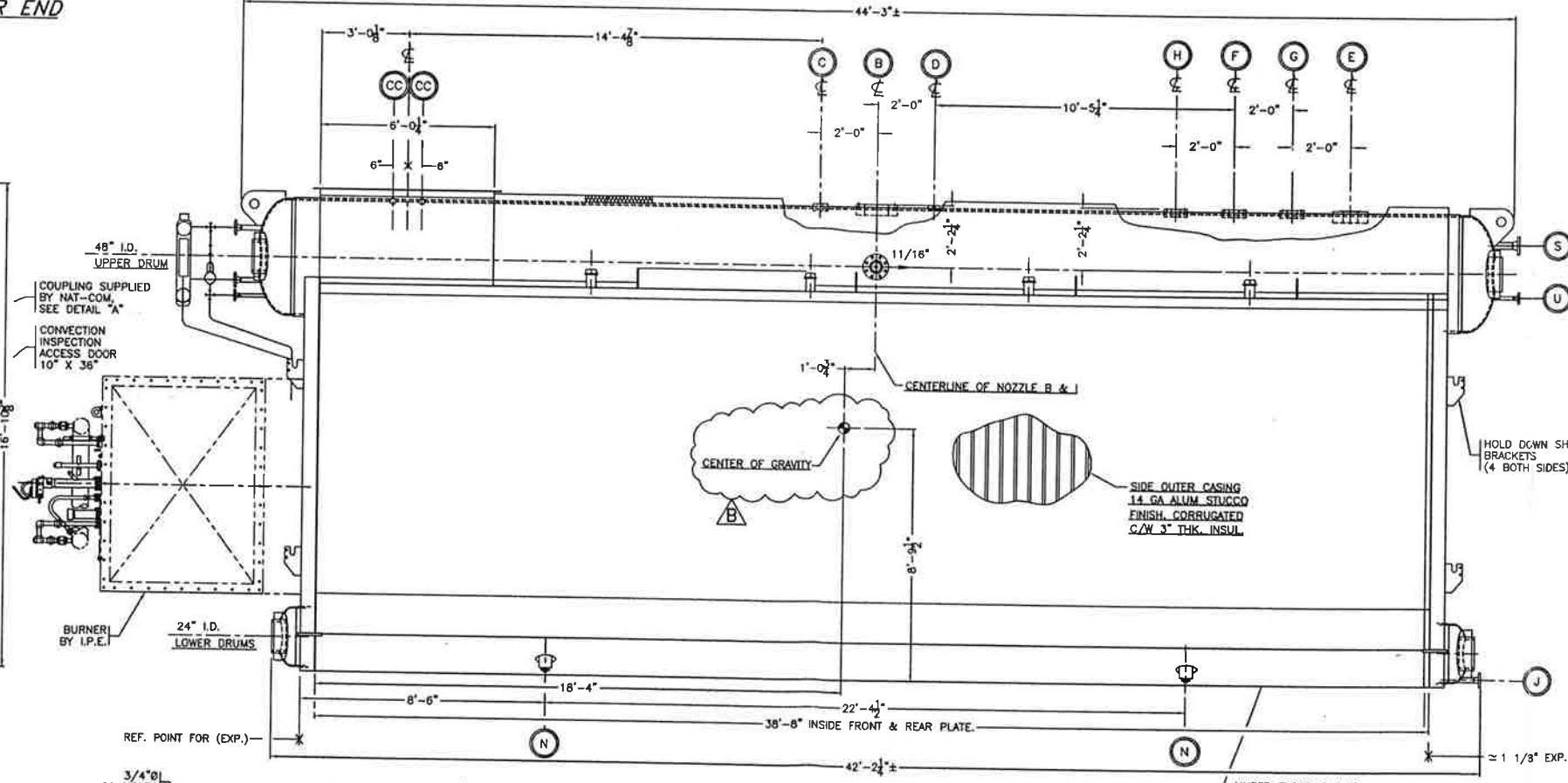
FRONT END



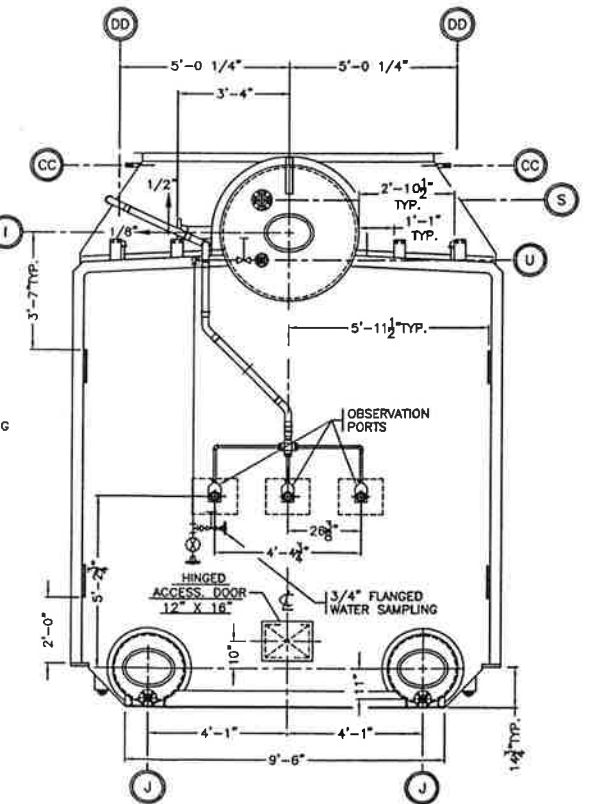
REAR END



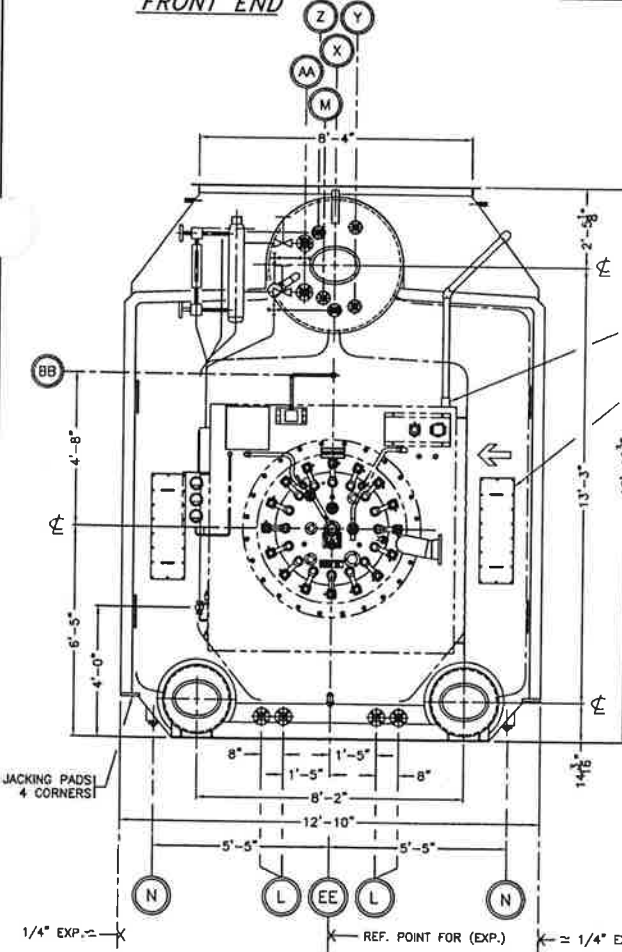
PLAN VIEW



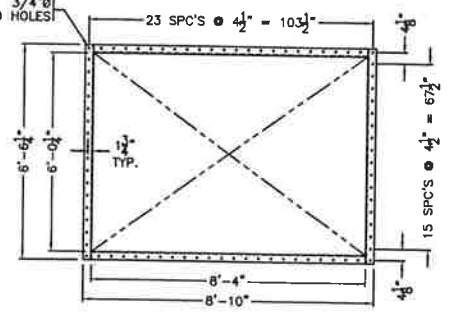
RIGHT HAND SIDE VIEW



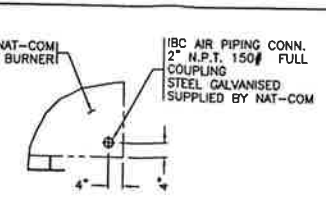
REAR VIEW



FRONT VIEW



GAS OUTLET FLANGE



DETAIL "A"

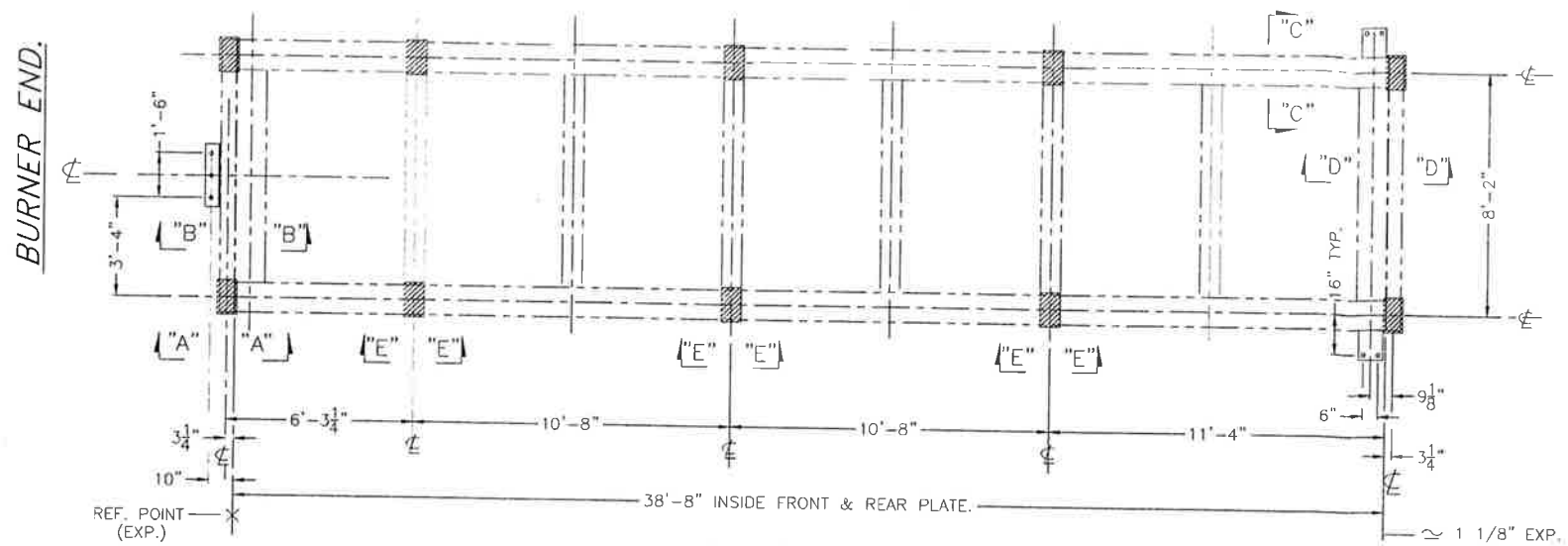
A			
B	10"	300# R.F. FLG'D	SATURATED STEAM
C	2"	300# R.F. FLG'D	STEAM ATOMIZING
D	1"	300# R.F. FLG'D	VENT
E	6"	600# R.F. FLG'D	SAFETY VALVE SPARE (BLANKED)
F	4"	600# R.F. FLG'D	SAFETY VALVE
G	4"	600# R.F. FLG'D	SAFETY VALVE
H	4"	600# R.F. FLG'D	SAFETY VALVE SPARE (BLANKED)
I	4"	300# R.F. FLG'D	FEED WATER
J	1 1/2"	300# R.F. FLG'D(2)	BLOWOFF
K			
L	1 1/2"	300# R.F. FLG'D(2)	STEAM COIL
M	1"	300# R.F. FLG'D	CHEMICAL FEED
N	2"	NPT. CPLG. (4)	WATER WASH DRAIN (PLUGGED)
O			
P			
Q			
R			
S	2 1/2"	300# R.F. FLG'D	SOOTBLOWER STEAM SUPPLY (BLANKED)
T			
U	1"	300# R.F. FLG'D	CONTINUOUS BLOWDOWN
V			
W			
X	1"	300# R.F. FLG'D	AUXILIARY LOW WATER CUT OFF
Y	1"	300# R.F. FLG'D (2)	LEVEL TRANSMITTER
Z	1"	300# R.F. FLG'D	STEAM GAUGE
AA	1 1/2"	300# R.F. FLG'D(2)	WATER COLUMN
BB	1"	NPT (MALE)	FURNACE PRESSURE
CC	1"	NPT (MALE)	(4) FLUE GAS OUTLET TEMP. & PRESS.
DD	4"	NPT (MALE)	(8) SOOTBLOWER WALLBOX (PLUGGED)
EE	1 1/2"	NPT (COUPLING)	DRAIN (PLUGGED)

REFERENCE DRAWING: IBC DRAWING P70109100D REV G 7/4/2003

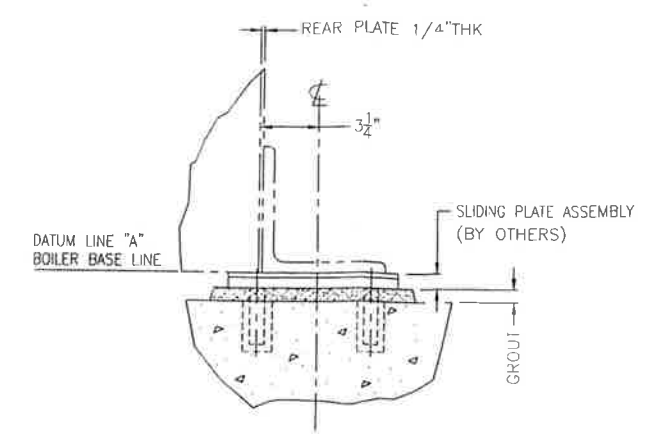
INDECK DWG. NO. _____
 THIS DESIGN OR DRAWING IS NOT SOLD AND IS SUBJECT TO RECALL REPRODUCTION OR COPYING RIGHTS ARE RESERVED SOLELY TO INDECK POWER EQUIPMENT COMPANY. THE DRAWING HAS BEEN DELIVERED AND RECEIVED ON THE EXPRESSED CONDITIONS THAT IT IS NOT USED IN ANY WAY AGAINST THE INTERESTS AND BENEFITS OF INDECK POWER EQUIPMENT COMPANY, AND THAT THIS DRAWING AND ALL COPIES OF IT WILL BE RETURNED TO INDECK POWER EQUIPMENT COMPANY IMMEDIATELY ON DEMAND, AND THAT ALL INFORMATION DISCLOSED BY THIS DRAWING TO THE HOLDER SHALL BE HELD IN CONFIDENCE.

REV	DATE	DESCRIPTION	DRWN BY	APPR BY
A	10/18/11	ISSUED FOR CUSTOMER INFORMATION	LJ	KH
B	12/02/11	ADDED CENTER OF GRAVITY	KH	KH

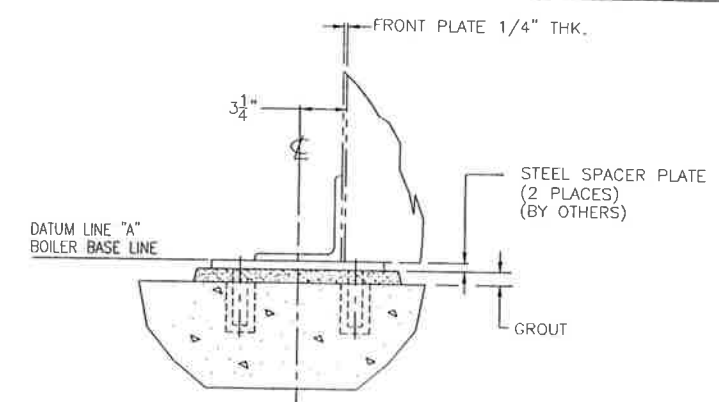
INDECK
 INDECK POWER EQUIPMENT COMPANY . 1111 WILLIS AVENUE . WHEELING, ILLINOIS 60090
 MARQUIS ENERGY, LLC
 STOCK UNIT - G1247, ITEM #0110162
 HENNEPIN IL
 MODEL : A4-165-395#
 GENERAL ARRANGEMENT
 DATE 10/18/11 DRAWN BY LJ REV. DRAWING NUMBER
 SCALE NTS CHECKED BY KH A G2720-003



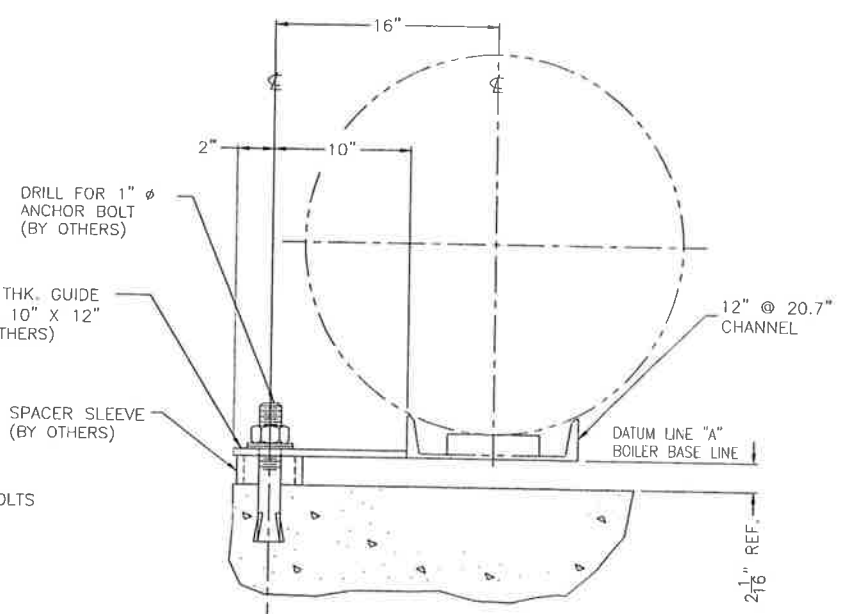
FOUNDATION PLAN VIEW.



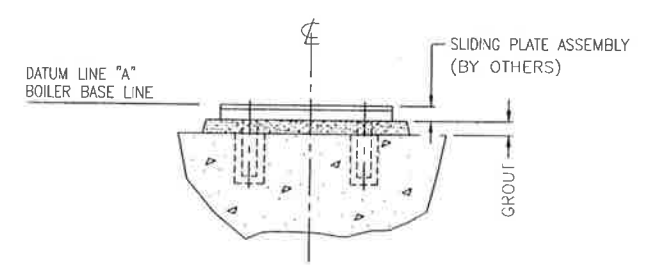
VIEW \"D-D\"
N.T.S.



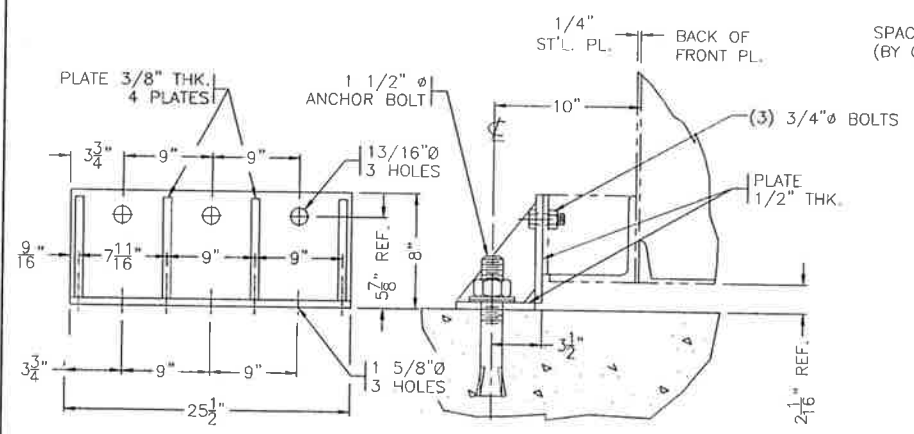
VIEW \"A-A\"
N.T.S.



SUGGESTED GUIDE PLATE
(SUPPLY BY OTHERS.)
VIEW \"C-C\"
N.T.S.



VIEW \"E-E\"
N.T.S.



SUGGESTED HOLD DOWN CLIP
(SUPPLY BY OTHERS.)
VIEW \"B-B\"
N.T.S.
HORIZONTAL FORCE ON ANCHOR CLIPS (14,000#)

NOTE: FOR GENERAL NOTES REFER TO DWG G2720-100

INDECK DWG. NO. G2720-101
THIS DESIGN OR DRAWING IS NOT SOLD AND IS SUBJECT TO RECALL, REPRODUCTION OR COPYING RIGHTS ARE RESERVED SOLELY TO INDECK POWER EQUIPMENT COMPANY. THE DRAWING HAS BEEN DELIVERED AND RECEIVED ON THE EXPRESSED CONDITIONS THAT IT IS NOT USED IN ANY WAY AGAINST THE INTERESTS AND BENEFITS OF INDECK POWER EQUIPMENT COMPANY, AND THAT THIS DRAWING AND ALL COPIES OF IT WILL BE RETURNED TO INDECK POWER EQUIPMENT COMPANY IMMEDIATELY ON DEMAND, AND THAT ALL INFORMATION DISCLOSED BY THIS DRAWING TO THE HOLDER SHALL BE HELD IN CONFIDENCE.

REV	DATE	DESCRIPTION	DRWN BY	APPR BY
0	10/17/11	FOR COSTUMER INFORMATION	LI	JXM

INDECK
INDECK POWER EQUIPMENT COMPANY, 1111 WILLIS AVENUE, WHEELING, ILLINOIS 60090

MARQUIS ENERGY, LLC
HENNEPIN IL

190K PPH PACKAGE BOILER PROJECT

BOILER BASE DETAILS

DATE	10/17/11	DRAWN BY	LI	REV.	0	DRAWING NUMBER	G2720-101
SCALE	N.T.S.	CHECKED BY	JXM				